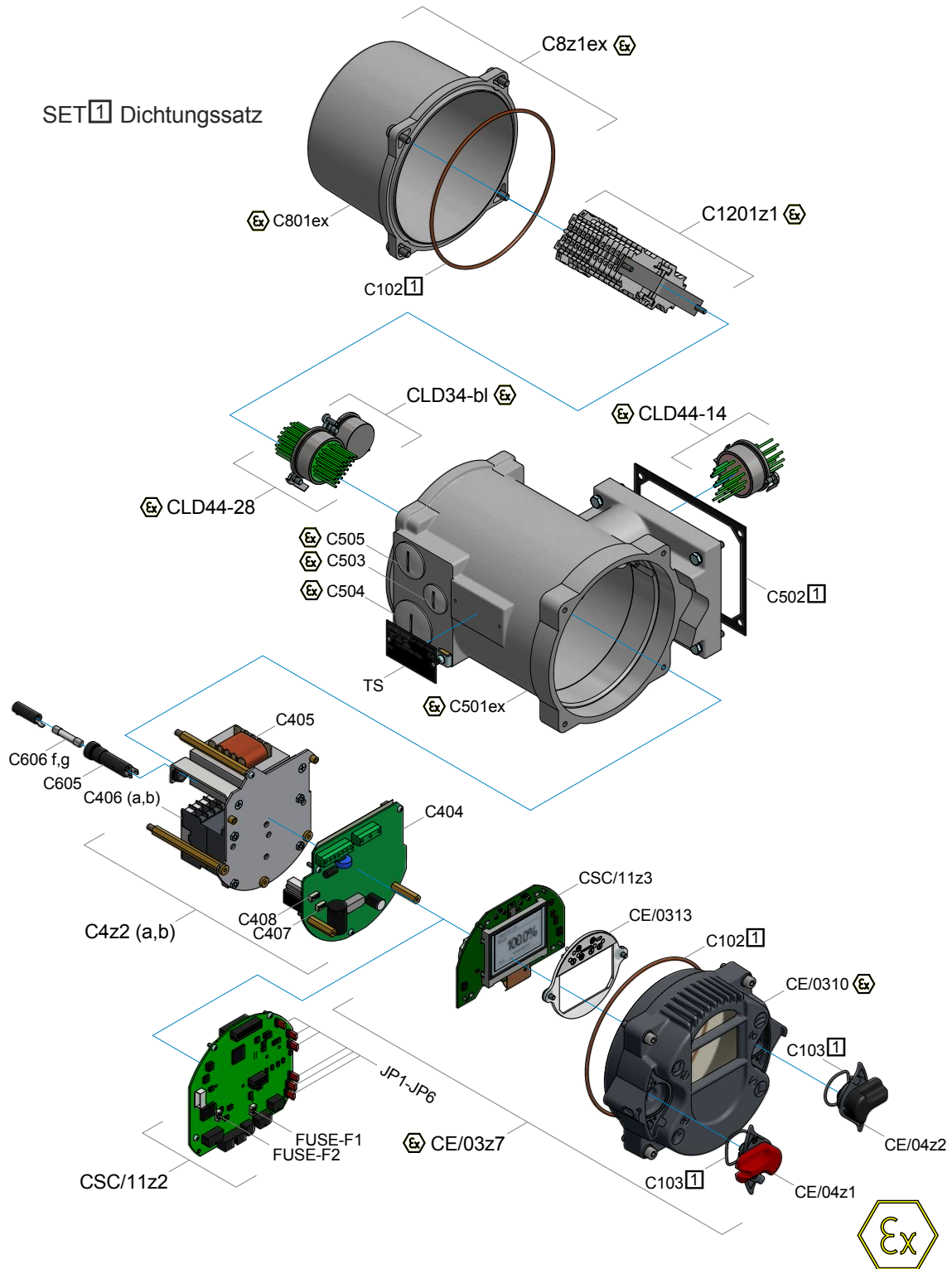
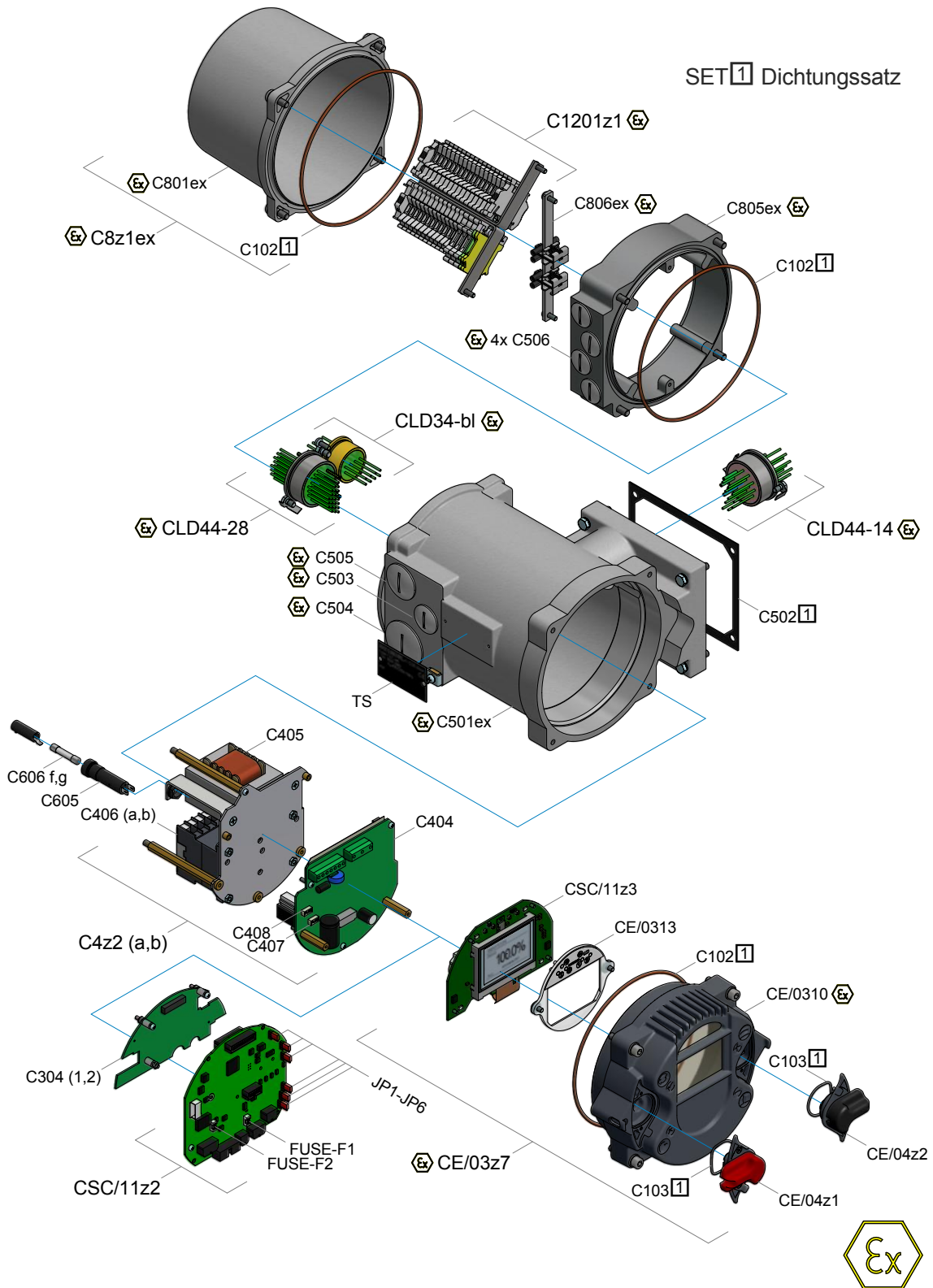


Spare part list for SMARTCON control unit in explosion proof design

1 Version with mechanical reversing contactors



2 Version with Profibus and mechanical reversing contactors



3 Spare part list

Part-Nr.	Description
C102	O-Ring
C103	O-Ring for operating switch red/back
C104	Operating switch black
C105	Operating switch red
C1z1ex	Cover E aluminium complete
C302a	Fuse 375mA for Logic board
C302b	Fuse 500mA for Logic board
C304-1	Profibusprint DP1 1-channel
C304-2	Profibusprint DP2 2-channels
C3z2	Logic board with parametrisation accord to actuator fabrication number
C404	Basic board
C405	Transformer
C406a	mechanical reversing contactors mW4 for motor power up to 3.0kW(S2)/1.5kW(S4)
C406b	mechanical reversing contactors mW7K for motor power 3.0-5.5kW(S2)/1.5-3.0kW(S4)
C407	Fuse 1AT for Basic Board
C408	Fuse 500mAT for Basic Board
C4z2a	power supply unit mW4 for motor power up to 3.0kW(S2)/1.5kW(S4)
C4z2b	power supply unit mW7K for motor power 3.0-5.5kW(S2)/1.5-3.0kW(S4)
C501ex	Housing
C502	Flat gasket
C503ex	Nose cap M25x1.5
C504ex	Nose cap M32x1.5
C505ex	Nose cap M40x1.5
C506ex	Nose cap M20x1.5
C605	Fuse holder
C606f	Fuse 100mAT for control unit with mechanical/thyristor reversing contactors for motor power higher than 3x400V;50Hz
C606g	Fuse 125mAT for control unit with mechanical/thyristor reversing contactors for motor power up to 3x400V;50Hz
C8z1ex	Customer cover A for connection room
C805ex	Intermediate ring with 4 boreholes M20x1,5
C806ex	Rail for cable shield
C1201	Rail for terminals
C1201E	End clamp Clipfix
C1201L	Terminal for power connection 0,2-6mm ²
C1201L10	Terminal for power connection 0,5-16mm ²
C1201S	Terminal for control signals 0,2-4mm ²
C1201SL	Protective earth conductor terminal 0,2-6mm ² yellow-green
C1201SL10	Protective earth conductor terminal 0,5-16mm ² yellow-green
C1201z1	Terminal strip for Smartcon complete with Terminals: 24x control signals 0,2-4mm ² ; 3x power connection 0,2-6mm ² ; 1x Protective earth conductor ; 2x end clamp Clipfix incl rail and labeling

3 Spare part list

Part-Nr.	Description
CLD34-4	Cable tree with cable bushing (4x0,5mm ² wire cross section)
CLD34-bl	Blind plug
CLD44-14	Cable tree with cable bushing (10x0,5mm ² and 4x1,5mm ² wire cross section)
CLD44-28	Cable tree with cable bushing (24x0,5mm ² and 4x1,5mm ² wire cross section)
CSCI-USB	SMART Interface for backup of customer datas consists of infrared dongle with cable and software

CAUTION: When ordering spare parts, you **must** provide the **serial number** (look type shield near the hand lever).

Use only original spare parts supplied by SCHIEBEL. Using other parts will render the warranty void.

Illustrations may differ from actual spare parts.

